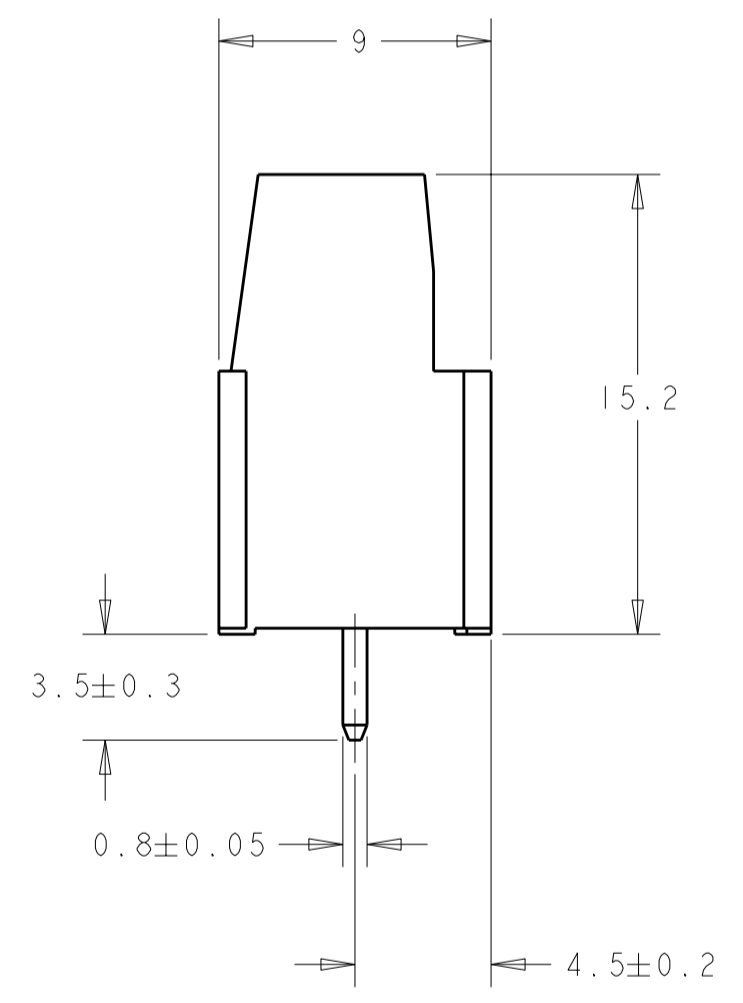
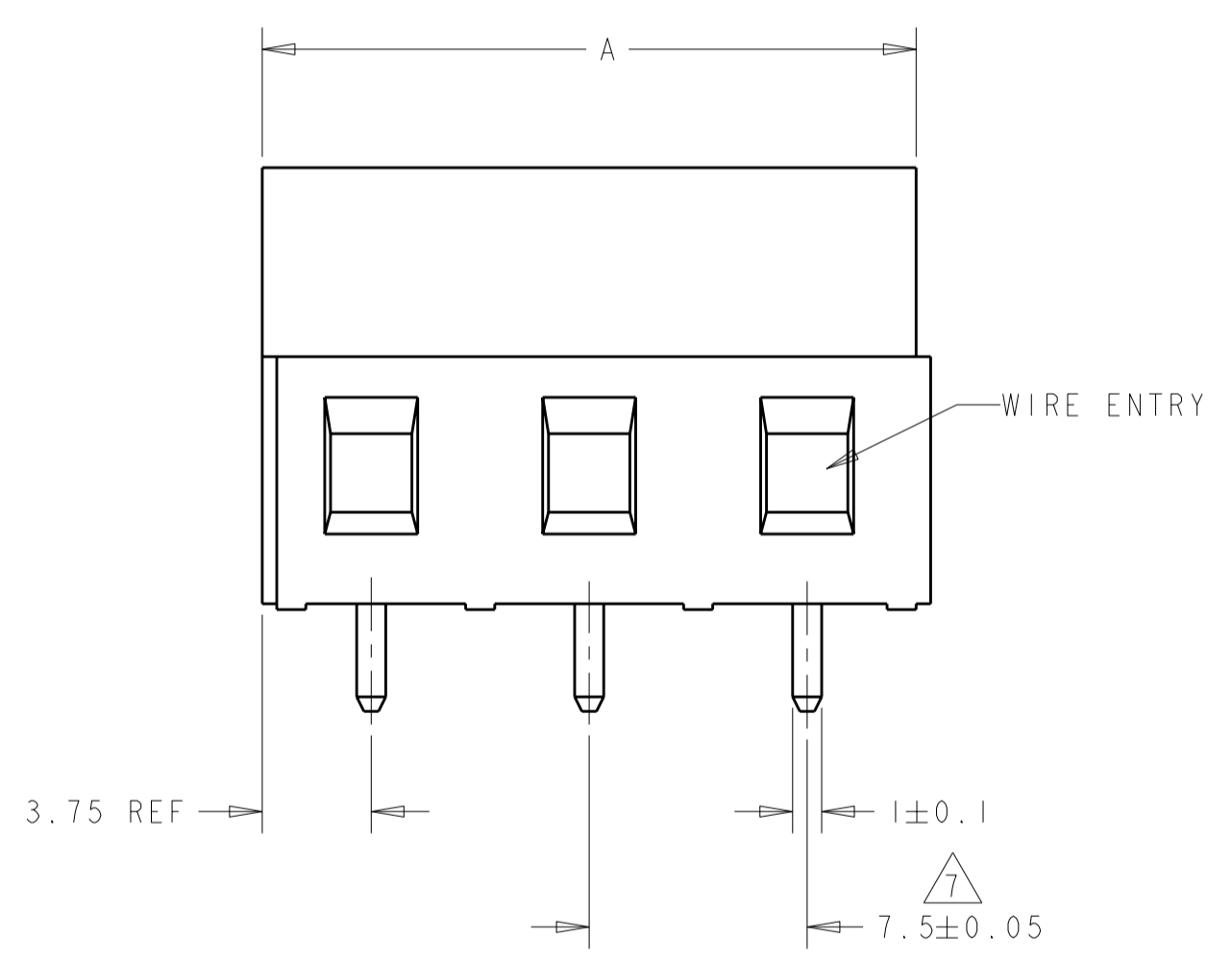
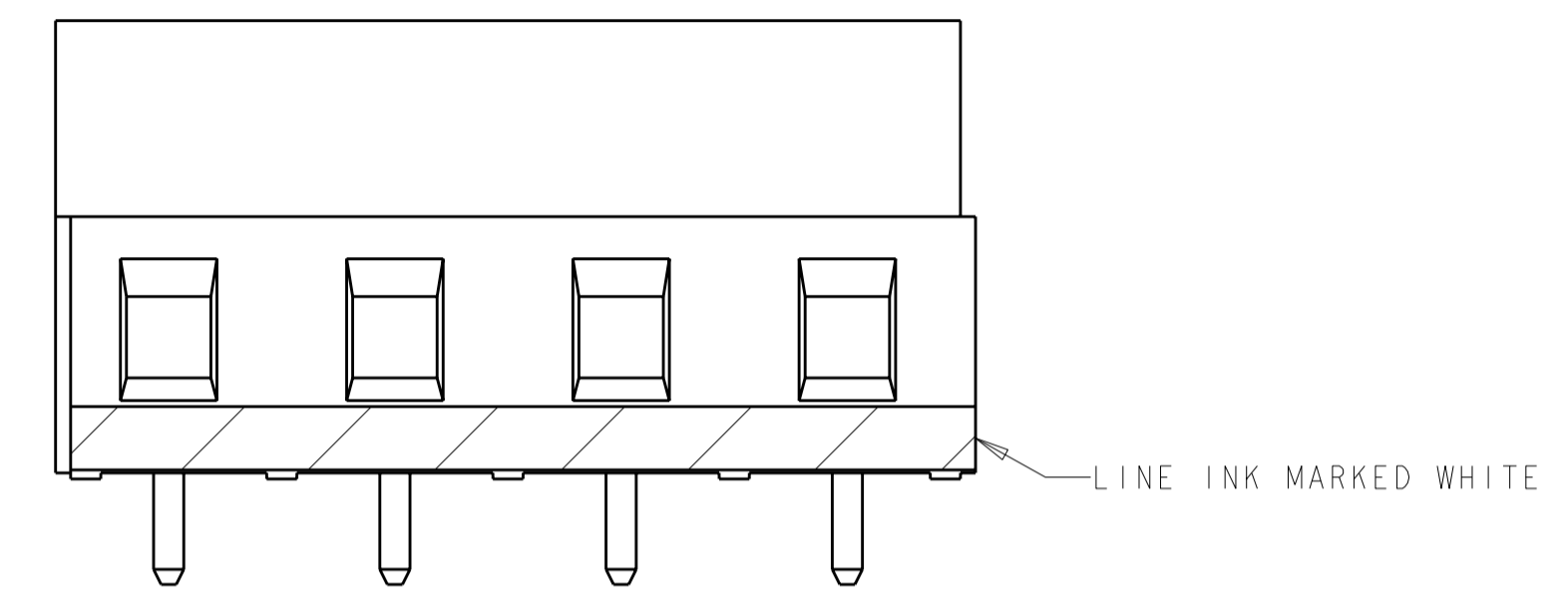
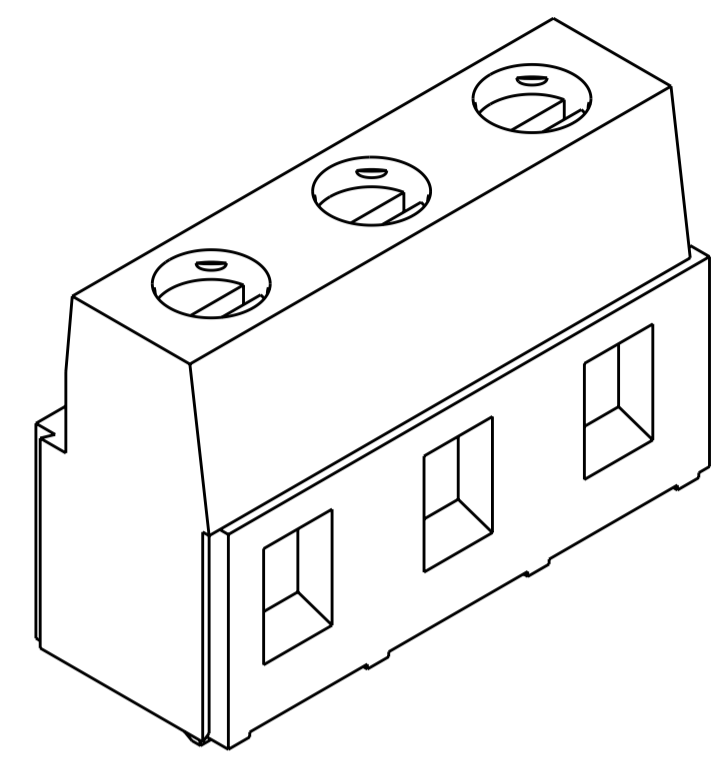
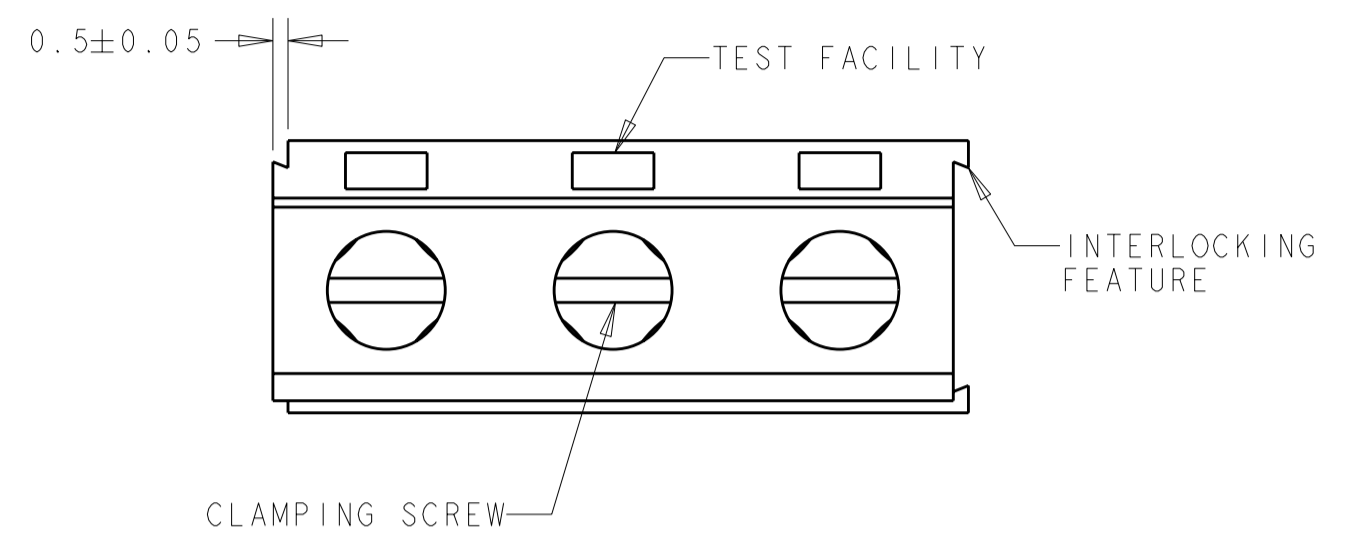


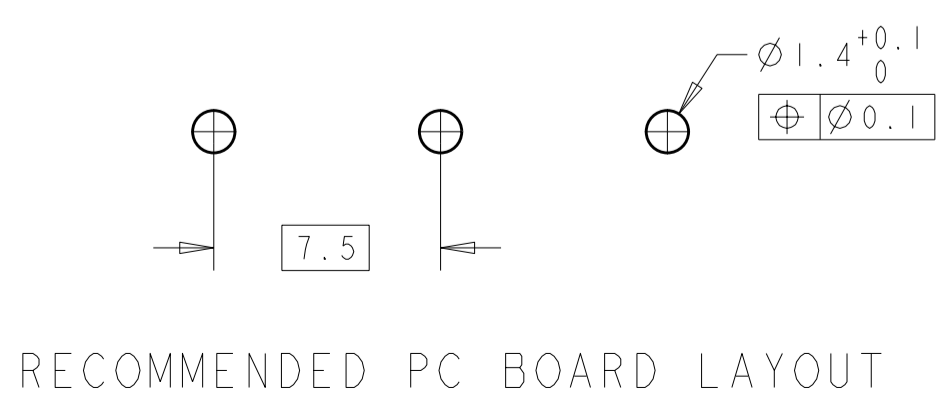
THIS DRAWING IS UNPUBLISHED. RELEASED FOR PUBLICATION 20  
 © COPYRIGHT 20 BY - ALL RIGHTS RESERVED.

LOC		DIST		REVISIONS			
P	LTR	DESCRIPTION	DATE	DWN	APVD		
	F2	REVISED PER ECO-11-005027	16MAR2011	RK	HMR		



- 1 MATERIALS AND FINISH  
 HOUSING: PA 6-6, UL 94-V0, COLOR: SEE TABLE.  
 CLAMP: BRASS, NICKEL PLATED.  
 TERMINAL: BRASS, TIN PLATED.  
 CLAMPING SCREW: M3, BRASS, NICKEL PLATED.
- 2 SUITABLE FOR 1,6-2,4mm. PCB THICKNESS.
- 3 END-TO-END STACKABLE W/INTERLOCK WITHOUT LOSS OF CENTERLINE SPACING.
- 4 WIRE SIZE RANGE  
 SOLID WIRE: 0,03-2,5mm (13AWG)  
 STRANDED WIRE: 0,03-1,5mm (15AWG)
- 5 RECOGNIZED UNDER THE COMPONENT PROGRAM OF UNDERWRITERS LABORATORIES INC. FILE N° E60677.
- 6 IMQ CERTIFICATE WITH SURVEILLANCE IN CONFORMITY WITH IEC 998-1/998-2-1.
- 7 NOT CUMULATIVE TOLERANCE.
- 8 CLAMPING SCREWS IN TORQUED DOWN POSITION.

PRELIMINARY	BLACK	NO	-	22.5	3	1-282844-3
	GREEN	YES	-	30.0	4	282844-6
	GREEN	NO	8	30.0	4	282844-5
	GREEN	NO	-	30.0	4	282844-4
	GREEN	NO	-	22.5	3	282844-3
	GREEN	NO	-	15.0	2	282844-2
	HOUSING COLOR	MARKING	CLAMPING SCREW	A	NO OF POSN	PART NUMBER



THIS DRAWING IS A CONTROLLED DOCUMENT.		DWN E. ZANOLINI 05APR2001	TE Connectivity	
DIMENSIONS: mm		CHK D. BIEVENOUR 05APR2001		
TOLERANCES UNLESS OTHERWISE SPECIFIED:		APVD D. BIEVENOUR 05APR2001		
0 PLC ±: 3 1 PLC ±: 3 2 PLC ±: 25 3 PLC ±: 4 PLC ±: ANGLES ±2 FINISH		PRODUCT SPEC 108-20166 APPLICATION SPEC 114-20079 WEIGHT -		
MATERIAL		NAME		RESTRICTED TO
		TERMINAL BLOCK, PCB MOUNT, SIDE WIRE ENTRY, STACKING, WITH INTERLOCK, 7.5mm PITCH.		
		SIZE A2	CAGE CODE 00779	DRAWING NO C-282844
		CUSTOMER DRAWING		SCALE 4:1 SHEET 1 OF 1 REV F2